

ERF 34

GPS Cordinates  
 20° 6.661'S  
 16° 9.491'E

LOCALITY PLAN OF ERF 34, OUTJO PROPER

SCALE: NOT TO SCALE

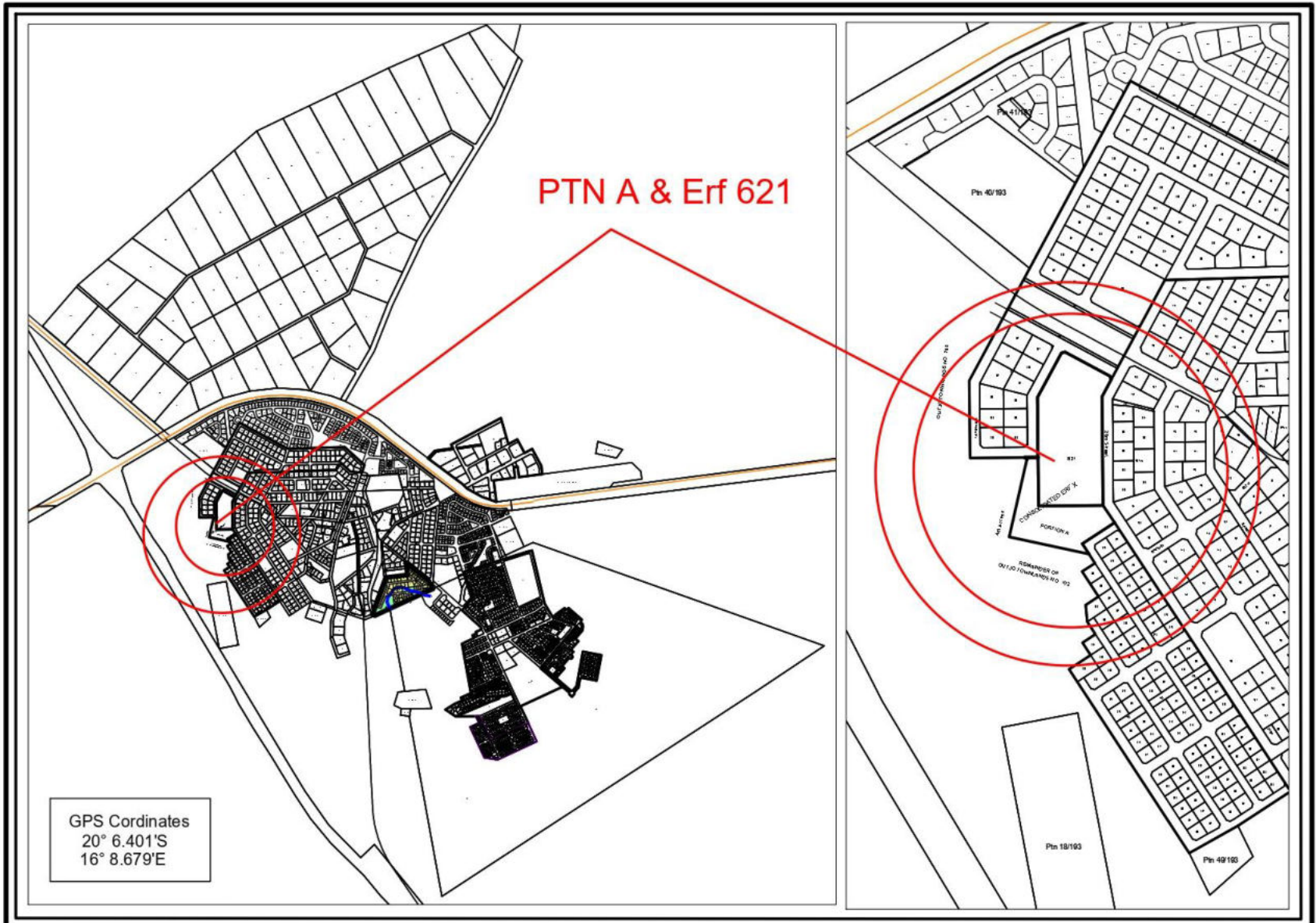
DATE: APRIL, 2024

LEGEND		LEGEND	
RESIDENTIAL		SUBDIVISION	
POS		ERF 34	
RIM / STREET		RIVER	



CONSULTANT	NPC
DRAWN BY	NNK
CLIENT	OUTJO TOWN COUNG
DRAWING NO.	OUTJO-01-06-2024





PTN A & Erf 621

GPS Cordinates  
 20° 6.401'S  
 16° 8.679'E

LOCALITY PLAN OF PORTION A OF OUTJO TOWNLANDS NO. 193  
 AND ERF 621, OUTJO PROPER

SCALE: NOT TO SCALE

DATE: APRIL 2024

LEGEND	LEGEND
RESIDENTIAL	SUBDIVISION
POS	ERF 621
REM / STREET	RIVER



CONSULTANT	NPC
DRAWN BY	NNK
CLIENT	OUTJO TOWN COUNC
DRAWING NO	OUTJO-01-07-2024

