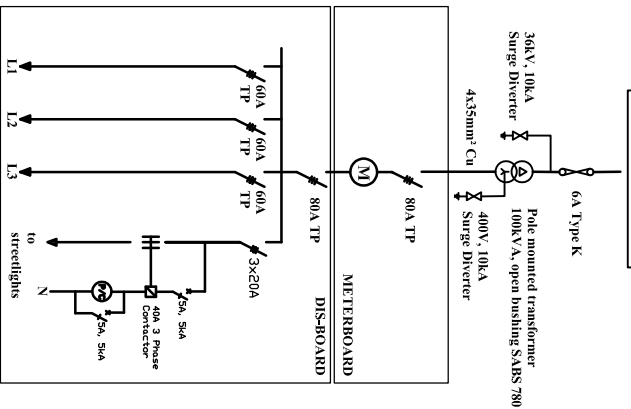
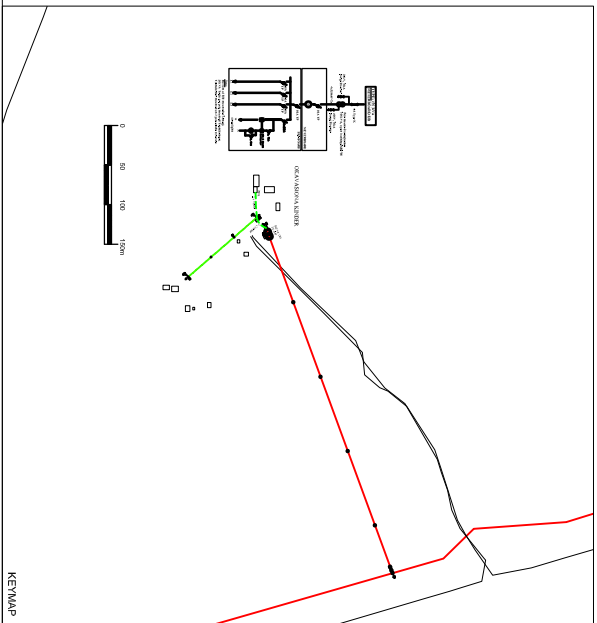
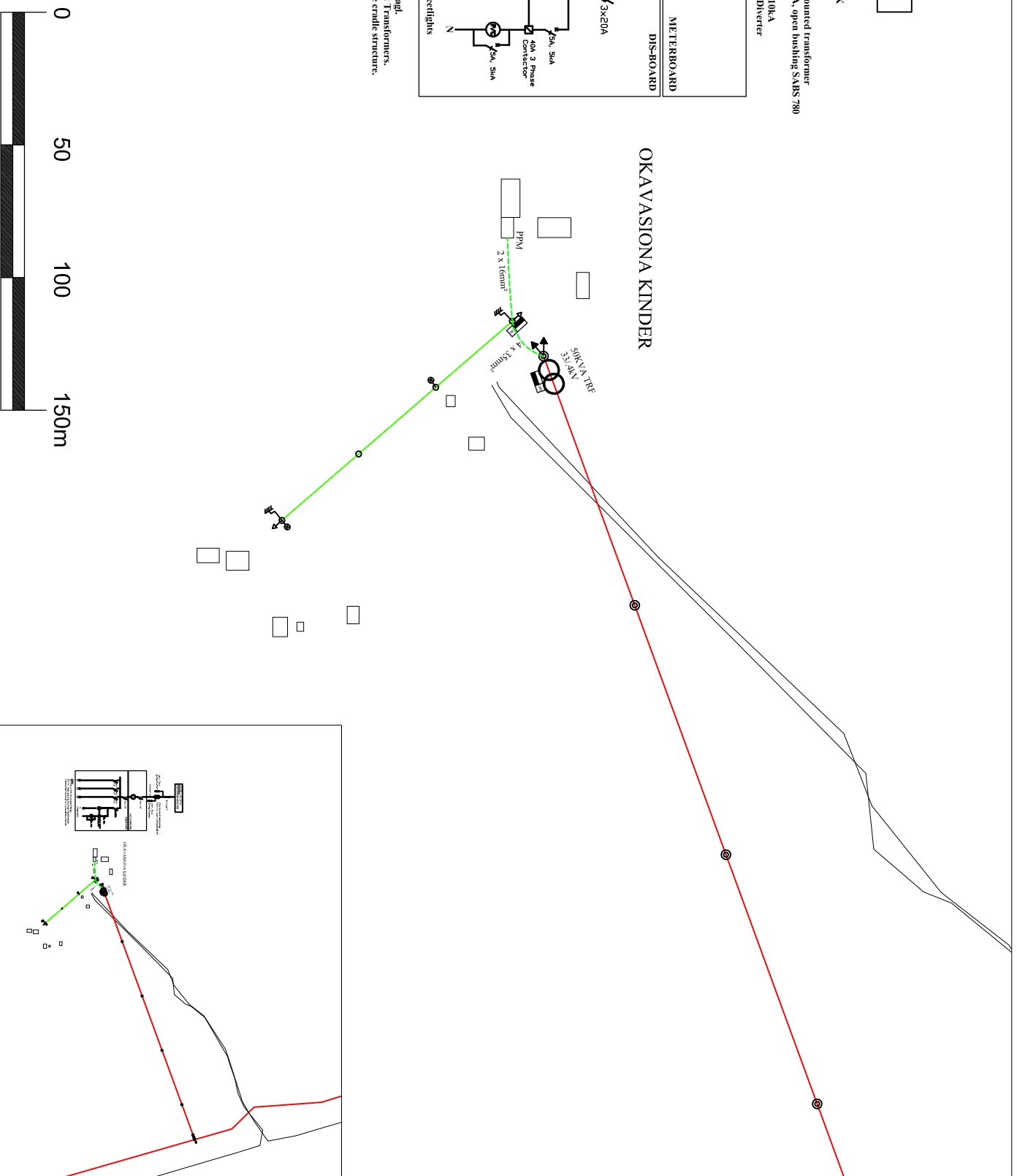


**TYPE 1 (50 KVA
METERBOARD/DB**



Note:
Bottom of DB mounted at 1.6m a.g.l.
50kVA. Trafo are pole mounted Transformers.
Transformer mounted on 2 pole grade structure.

OKAVASIONA KINDER



LEGEND - URBAN / RURAL

SYMBOL	DESCRIPTION
	TRANSFORMER
	METERBOARD/DB
	3 WAY TRANSFORMER
	2 POLE TRANSFORMER
	4 POLE TRANSFORMER
	6 POLE TRANSFORMER
	8 POLE TRANSFORMER
	10 POLE TRANSFORMER
	12 POLE TRANSFORMER
	14 POLE TRANSFORMER
	16 POLE TRANSFORMER
	18 POLE TRANSFORMER
	20 POLE TRANSFORMER
	22 POLE TRANSFORMER
	24 POLE TRANSFORMER
	26 POLE TRANSFORMER
	28 POLE TRANSFORMER
	30 POLE TRANSFORMER
	32 POLE TRANSFORMER
	34 POLE TRANSFORMER
	36 POLE TRANSFORMER
	38 POLE TRANSFORMER
	40 POLE TRANSFORMER
	42 POLE TRANSFORMER
	44 POLE TRANSFORMER
	46 POLE TRANSFORMER
	48 POLE TRANSFORMER
	50 POLE TRANSFORMER
	52 POLE TRANSFORMER
	54 POLE TRANSFORMER
	56 POLE TRANSFORMER
	58 POLE TRANSFORMER
	60 POLE TRANSFORMER
	62 POLE TRANSFORMER
	64 POLE TRANSFORMER
	66 POLE TRANSFORMER
	68 POLE TRANSFORMER
	70 POLE TRANSFORMER
	72 POLE TRANSFORMER
	74 POLE TRANSFORMER
	76 POLE TRANSFORMER
	78 POLE TRANSFORMER
	80 POLE TRANSFORMER
	82 POLE TRANSFORMER
	84 POLE TRANSFORMER
	86 POLE TRANSFORMER
	88 POLE TRANSFORMER
	90 POLE TRANSFORMER
	92 POLE TRANSFORMER
	94 POLE TRANSFORMER
	96 POLE TRANSFORMER
	98 POLE TRANSFORMER
	100 POLE TRANSFORMER

COORDINATE
TFC: 18.15016, 44.37043

No.	REVISIONS	APP.	DATE

CLIENT

APPROVED: _____ DATE: _____
COPYRIGHT RESERVED

POWER CONSULT
ELECTRICAL & MECHANICAL ENGINEERS

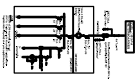
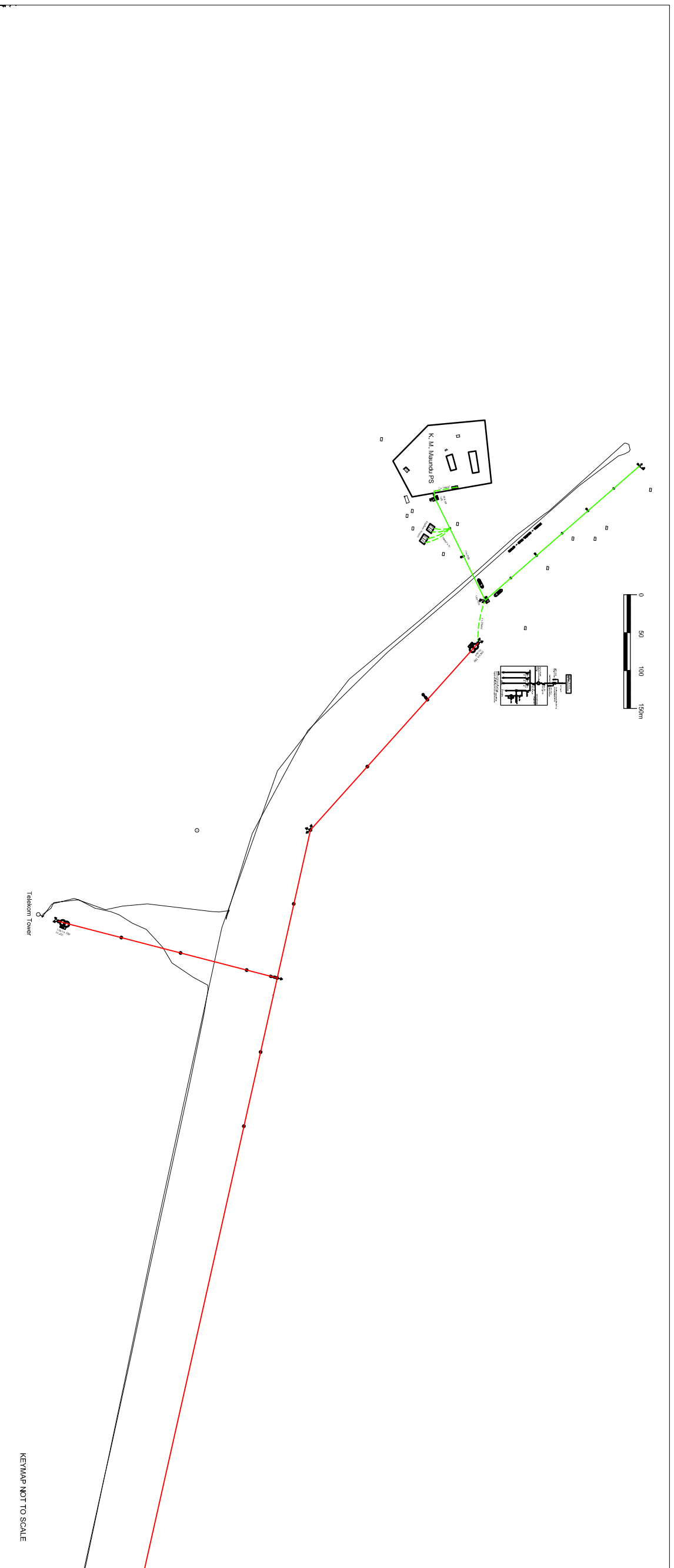
P.O. Box 3209 2685 Dr. Lelewa Avenue St. Hillside 21100
WINDHOLE
Tel: (06) 231196
Fax: (06) 414196
www.powerconsult.com
info@powerconsult.com

DRAWN: SA DATE: OCT 2016
DESIGNED: SA CHECKED: SA
SCALE: 1:1500 REV: 00

PROJECT: ELECTRIFICATION OF OKAVASIONA CENTRE
KUNENE REGION

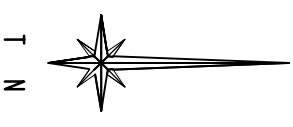
DRAWING TITLE
MEDIUM VOLTAGE LOW VOLTAGE
STREET LIGHTING AND SERVICE
CONNECTIONS
TENDER DRAWING

CONSULTANT PROJECT NUMBER:
JOB REFERENCE NUMBER:
Z1717MNV_LV_SL_0002



SYMBOL	DESCRIPTION	QTY
	70mm² CONDUCTOR	
	45m SPAN	
	TOWER	
	POLE	
	GROUND WIRE	
	EARTH ROD	
	LIGHTNING ARRESTER	
	SURGE PROTECTOR	
	FUSE	
	SWITCH	
	METER	
	CABLE TRAY	
	CONDUIT	
	PIPE	
	VALVE	
	ELBOW	
	TEE	
	CROSS	
	END CAP	
	GASKET	
	NUT	
	WASHER	
	BOLT	
	SCREW	
	NAIL	
	WOOD GLUE	
	PAINT	
	PRIMER	
	SEALANT	
	INSULATION	
	WIRE MESH	
	REBAR	
	CONCRETE	
	BRICK	
	BLOCK	
	MORTAR	
	SAND	
	GRAVEL	
	AGGREGATE	
	CEMENT	
	WATER	
	ELECTRICITY	
	GAS	
	OIL	
	FUEL	
	LUBRICANT	
	COOLANT	
	OIL CHANGE	
	TIRE ROTATION	
	BRAKE PADS	
	BRAKE FLUID	
	SUSPENSION	
	STEERING	
	TRANSMISSION	
	CLUTCH	
	ENGINE	
	ALTERNATOR	
	BATTERY	
	STARTER	
	DISTRIBUTOR	
	SPARK PLUG	
	TIMING BELT	
	WATER PUMP	
	OIL FILTER	
	AIR FILTER	
	CABIN FILTER	
	FUEL FILTER	
	COOLANT FILTER	
	OIL PAN	
	OIL SEAL	
	OIL GASKET	
	OIL CAP	
	OIL DIPSTICK	
	OIL LEVEL SENSOR	
	OIL PRESSURE SENSOR	
	OIL TEMPERATURE SENSOR	
	OIL FLOW SENSOR	
	OIL LEVEL SWITCH	
	OIL PRESSURE SWITCH	
	OIL TEMPERATURE SWITCH	
	OIL FLOW SWITCH	
	OIL LEVEL INDICATOR	
	OIL PRESSURE INDICATOR	
	OIL TEMPERATURE INDICATOR	
	OIL FLOW INDICATOR	
	OIL LEVEL WARNING	
	OIL PRESSURE WARNING	
	OIL TEMPERATURE WARNING	
	OIL FLOW WARNING	
	OIL LEVEL SENSOR (W/ GAUGE)	
	OIL PRESSURE SENSOR (W/ GAUGE)	
	OIL TEMPERATURE SENSOR (W/ GAUGE)	
	OIL FLOW SENSOR (W/ GAUGE)	
	OIL LEVEL SWITCH (W/ GAUGE)	
	OIL PRESSURE SWITCH (W/ GAUGE)	
	OIL TEMPERATURE SWITCH (W/ GAUGE)	
	OIL FLOW SWITCH (W/ GAUGE)	
	OIL LEVEL INDICATOR (W/ GAUGE)	
	OIL PRESSURE INDICATOR (W/ GAUGE)	
	OIL TEMPERATURE INDICATOR (W/ GAUGE)	
	OIL FLOW INDICATOR (W/ GAUGE)	
	OIL LEVEL WARNING (W/ GAUGE)	
	OIL PRESSURE WARNING (W/ GAUGE)	
	OIL TEMPERATURE WARNING (W/ GAUGE)	
	OIL FLOW WARNING (W/ GAUGE)	

NOTE:
 1. ALL ABC CONDUCTOR
 USED: 70mm² x 3 + N + SL
 2. ABC RULING SPAN - 45m



GPS COORDINATES
 WGS 84
 S 17.94576
 E 13.39512

NO.	REVISIONS	DATE

CLIENT

APPROVED _____ DATE _____
 COPYRIGHT RESERVED

POWER CONSULT
 electrical & mechanical
 ENGINEERS

POWER CONSULT ELECTRICAL & MECHANICAL ENGINEERS
 PO BOX 3828 • 3265 DR. LIBERTIA MARSHALL STREET
 OSHANESVILLE • NAMIBIA • TEL: +264 65 231 997
 FAX: +264 65 231 998 • E-mail: pcc@powerconsult.com.na

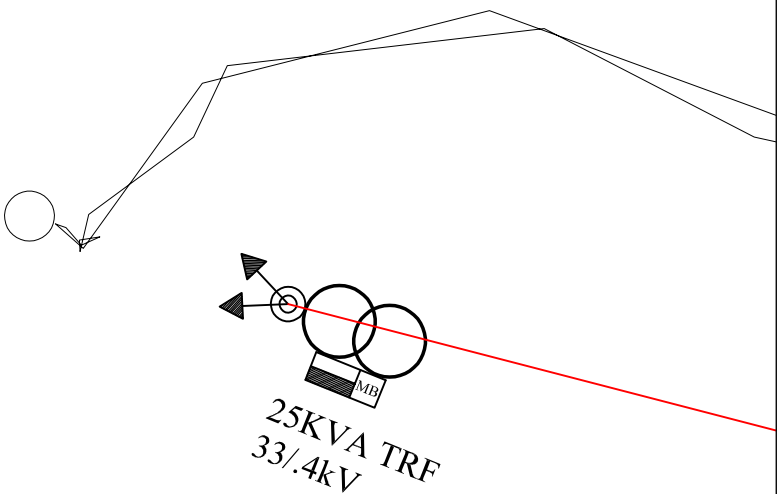
DESIGNED	SK	CHECKED	SA

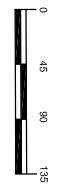
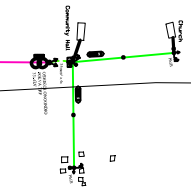
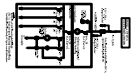
PROJECT
 ELECTRIFICATION OF OTJIMERO VILLAGE IN
 KUNENE REGION

DRAWING TITLE
 EPUPA CONSTITUENCY
 OTJIMERO TELEKOM TOWER
 TENDER DRAWING

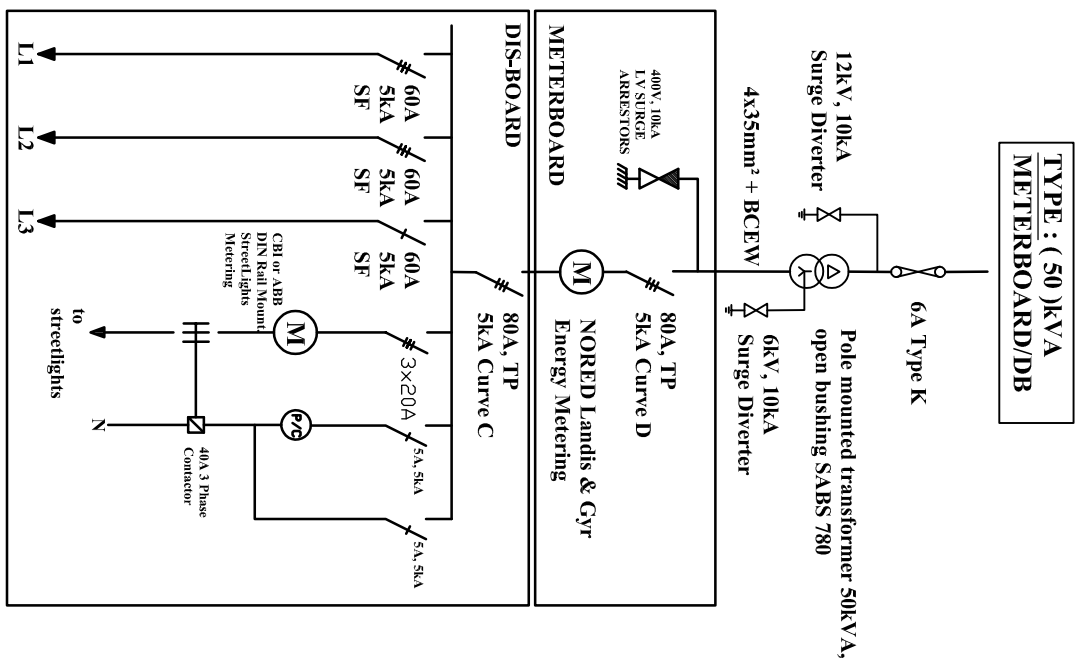
CONTRACT NO. EPUPA/OTJIMERO TELEKOM TOWER_02
 7118A

Telekom Tower



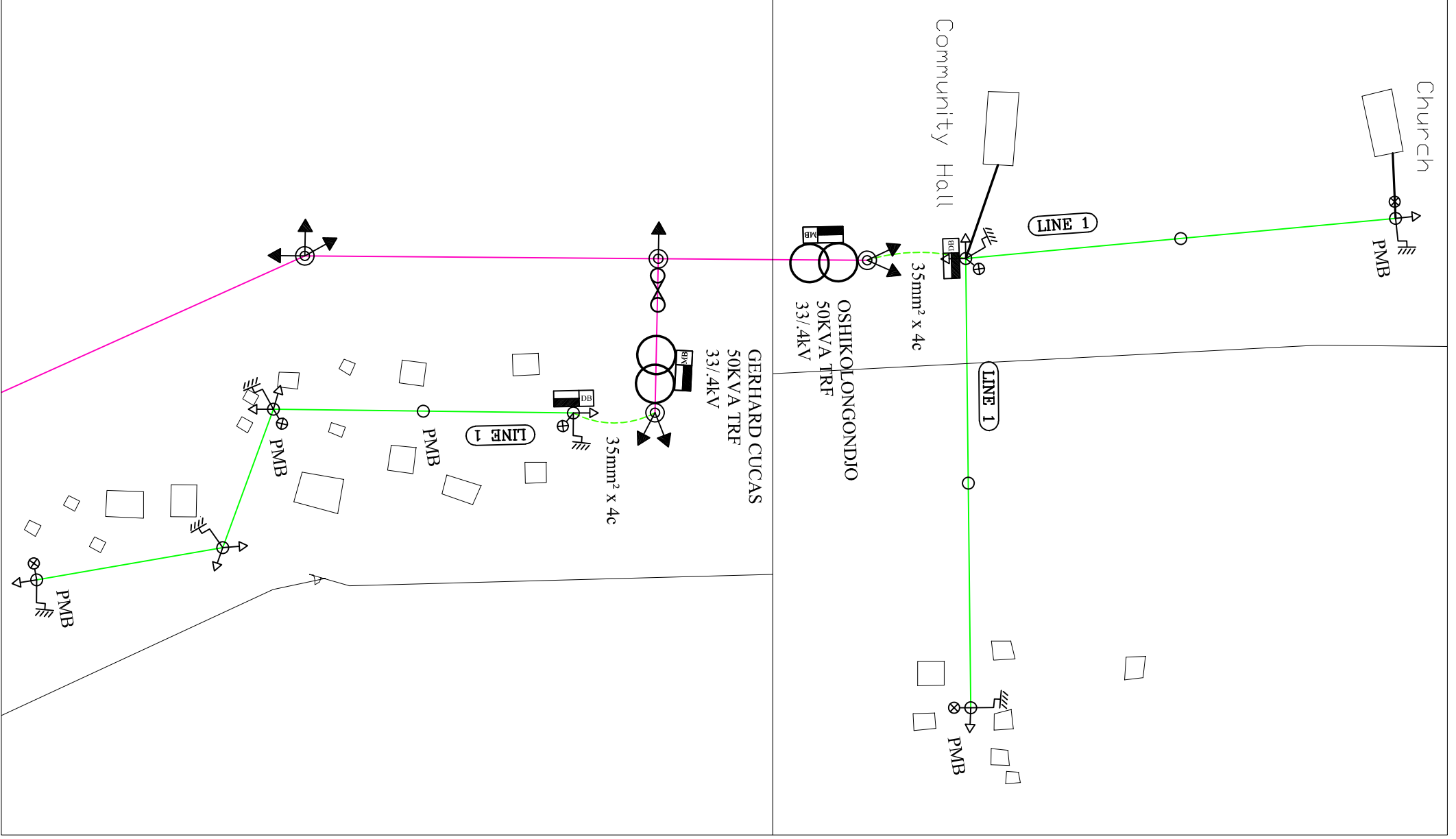


KEYMAP



**TYPE : (50) kVA
METERBOARD/DB**

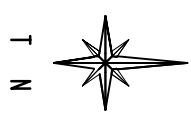
Note:
Bottom of DB mounted at 1.6m a.g.l.
50kVA Trfo are pole mounted Transformers.
Transformer mounted on 2 pole cradle structure.



SYMBOL	DESCRIPTION	QTY
	110kV/10kV TRANSFORMER	
	50kVA TRANSFORMER	
	6A TYPE K SURGE DIVERTER	
	400V, 10kA LV SURGE ARRESTORS	
	6kV, 10kA SURGE DIVERTER	
	40A, 3 PHASE CONTACTOR	
	35mm² x 4c CONDUCTOR	
	400V, 10kA LV SURGE ARRESTORS	
	6A TYPE K SURGE DIVERTER	
	6kV, 10kA SURGE DIVERTER	
	40A, 3 PHASE CONTACTOR	
	35mm² x 4c CONDUCTOR	
	400V, 10kA LV SURGE ARRESTORS	
	6A TYPE K SURGE DIVERTER	
	6kV, 10kA SURGE DIVERTER	
	40A, 3 PHASE CONTACTOR	
	35mm² x 4c CONDUCTOR	

STRUCTURAL SYMBOLS	
	POLE
	PMB
	PMT
	PSD
	PC
	PSA
	PSL
	PM
	PMT
	PSD
	PC
	PSA
	PSL
	PM

- NOTE:**
- MV CONDUCTOR TO BE USED IS RABBIT
 - ALL ABC CONDUCTOR USED: 70mm² x 3 + N + SL
 - ABC RULING SPAN - 45m



GPS COORDINATES
WGS 84
S 17.93347
E 15.64516

NO.	REVISIONS	APP.	DATE

CLIENT	APPROVED	DATE

POWER CONSULT
electrical & mechanical
engineers

Power Consult Electrical & Mechanical Engineers
PO Box 3218 • 2025 Dr. Libertina Amalinda Street
ORANGEFISH • NEMANISA • TEL: +266 65 731 997
FAX: +266 65 331 989 • Email: pcc@powerconsult.com.za

DRAWING TITLE
OSHKATI WEST CONSTITUENCY
OSHIKOLONGONDIO VILLAGE
BID DRAWING

CONSULTANT PROJECT NUMBER
7128

ROAD REFERENCE NUMBER
T156/Oshikolongondio Village_ae01

DRAWING	SK	DATE
DESIGNED	SA	NOV/2021
CHECKED	SA	

SCALE
1:100
REV 00

PROJECT
ELECTRIFICATION OF GROWTH CENTERS IN
OSHAMANA REGION - 2021/2022

APPROVED _____ DATE _____
COPYRIGHT RESERVED