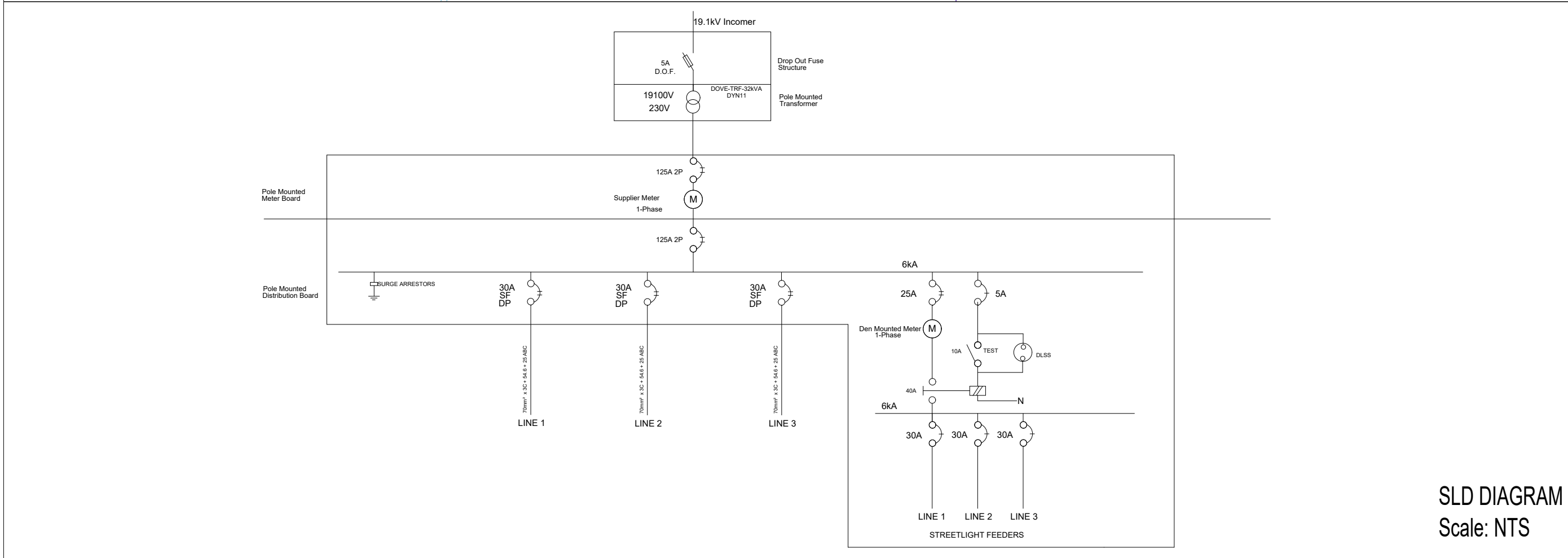


KEYMAP
Scale: NTS

NOTES:
1. All items to be confirmed and approved by engineer before supply & installation.
Copyright reserved.

LEGEND	
SYMBOL	DESCRIPTION
	DROP OUT FUSE
	LOAD BREAK
	LV POLE (9m)
	POLE (11m)
	19.1kV ABC LINE, 70mm²
	19.1kV UNDERGROUND CABLE
	LV POLE STAY ASSEMBLY
	STRUT POLE ASSEMBLY
	POLE MOUNTED METER BOARD
	POLE MOUNTED DISTRIBUTION BOARD
	DISTRIBUTION KIOSK
	POLE MOUNTED STREET LIGHT, HPS
	EARTH TO SPECIFICATION
	19.1kV OH LINE, WAPRE
	19.1kV OH LINE, RABIT
	TRANSFORMER
	SERVICE CONNECTION
	EXISTING 33kV OVERHEAD LINE
	EXISTING 22kV OVERHEAD LINE
	EXISTING 19.1kV OVERHEAD LINE
	400V LV UNDERGROUND CABLE
	HOUSE



SLD DIAGRAM
Scale: NTS

REVISIONS:

NO.	DATE	DESCRIPTION

CLIENT

Namibia Power Corporations (NAMPOWER)
PO Box 2804
WINDHOEK
NAMIBIA
TEL: +264 61 205 2206
FAX: +264 61 205 2397

USER/CLIENT

NORED ELECTRICITY (PTY) LTD
PO Box 369
Oshana
NAMIBIA
TEL: +264 61 201850
FAX: +264 61 241863

ENGINEERS

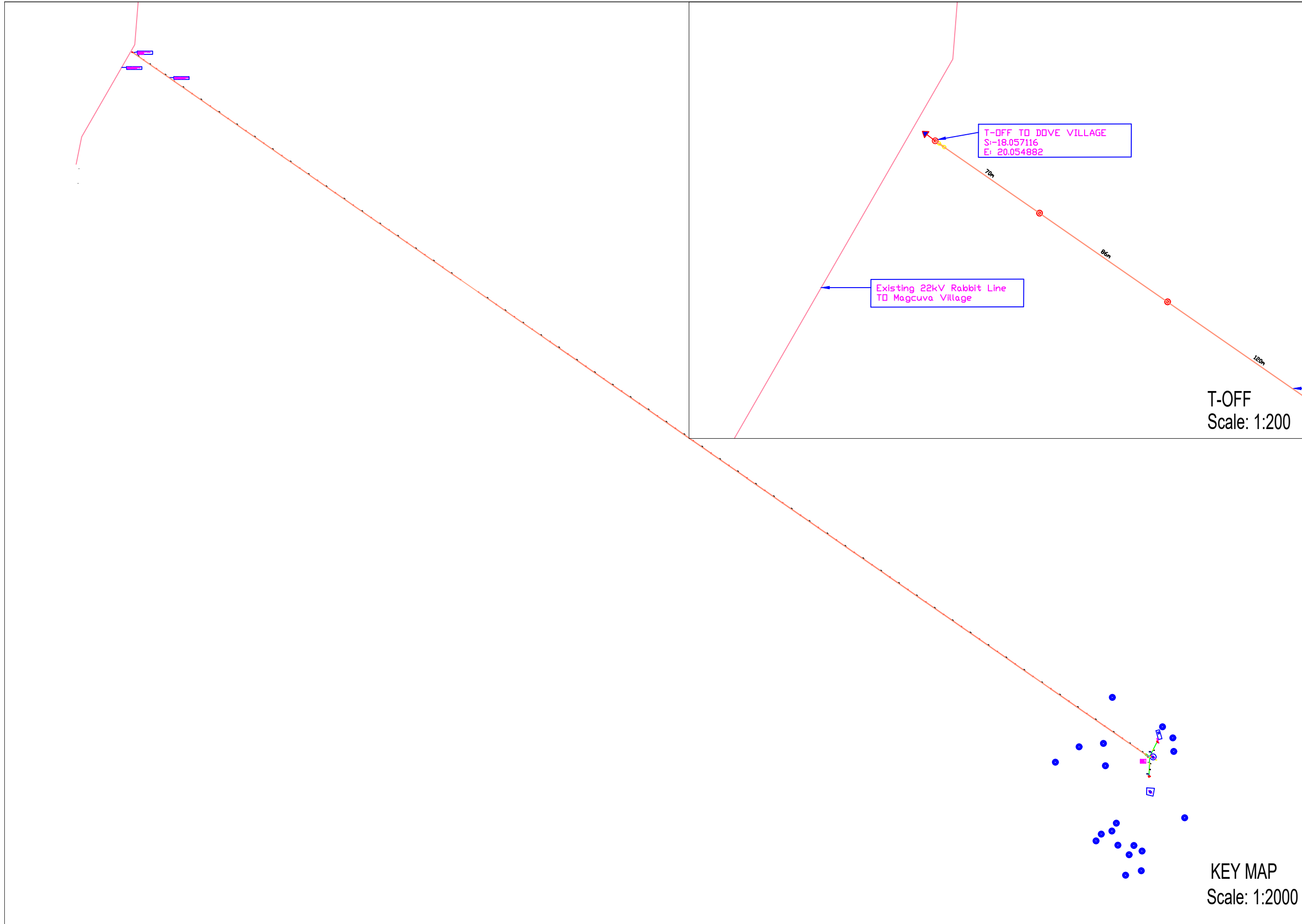
SHASHI CONSULTING ENGINEERS cc
P.O. BOX 2428
WINDHOEK
NAMIBIA
TEL: +264 61 - 300 333
CEL: +264 61 - 328 6554

PROJECT TITLE
NAMPOWER RURAL ELECTRIFICATION PROJECT, 2018
KAVANGO EAST REGION

DRAWING TITLE
DITHIMBA COMMUNITY NETWORK

WORK STAGE TECHNICAL DOCUMENTATION
PURPOSE OF DRAWING: AS-BUILD DRAWING

Scale - As Shown (on A3 Paper)	PROJ NO	DWG NO	REV
SS	NPWR/18-02	NPWR/18-02	0
DATE: JULY 2020	DRAWN: SS	CHECKED: SS	



NOTES:
 1. All items to be confirmed and approved by engineer before supply & installation.
 Copyright reserved.

LEGEND	
SYMBOL	DESCRIPTION
	DROP OUT FUSE
	LOAD BREAK
	LV POLE (8m)
	MV POLE (11m)
	LV 400V ABC LINE, 70mm²
	LV 400V UNDERGROUND CABLE
	LV POLE STAY ASSEMBLY
	MV STRUT POLE ASSEMBLY
	POLE MOUNTED METER BOARD
	POLE MOUNTED DISTRIBUTION BOARD
	DISTRIBUTION KIOSK
	POLE MOUNTED STREET LIGHT, HPS
	POLE EARTH TO SPECIFICATION
	33kV MV OH LINE, RABT
	22kV MV OH LINE, RABT
	TRANSFORMER
	SERVICE CONNECTION
	EXISTING 33kV OVERHEAD LINE
	EXISTING 22kV OVERHEAD LINE
	EXISTING 11kV OVERHEAD LINE
	400V LV UNDERGROUND CABLE
	HOUSE

REVISIONS		
NO.	DATE	DESCRIPTION

NamPower
 Namibia Power Corporation (NAMPOWER)
 PO Box 2854
 WINDHOEK
 NAMIBIA
 TEL: +264 61 205 2206
 FAX: +264 61 205 2287

NORED ELECTRICITY
 NORRED ELECTRICITY (PTY) LTD
 PO Box 369
 Otjomuise
 NAMIBIA
 TEL: +264 65 281850
 FAX: +264 65 241603

SHASHI CONSULTING ENGINEERS cc
 P.O. BOX 26265
 WINDHOEK
 NAMIBIA
 TEL: +264 61 300 333
 CEL: +264 81 326 6554

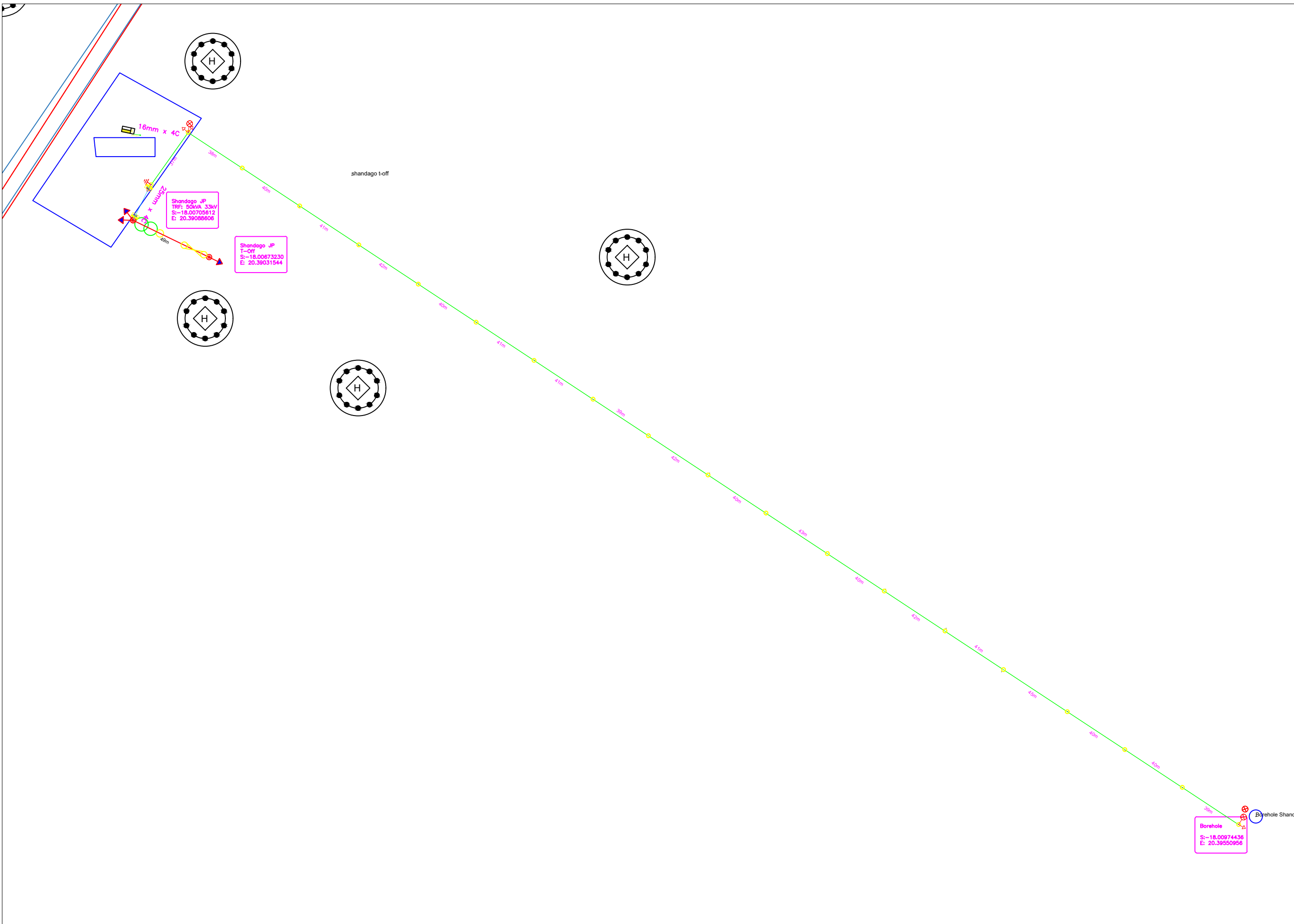
PROJECT TITLE
 NAMPOWER RURAL ELECTRIFICATION PROJECT, 2017
 KAVANGO EAST REGION

DRAWING TITLE
 DOVE SCHOOLCHURCH & BOREHOLE
 KEY MAP

WORKSTAGE
 TECHNICAL DOCUMENTATION
 PURPOSE OF DRAWING
 FOR TENDER

Scale - As Shown	PROJECT	DATE	REV
DATE	NOVEMBER 2018	DESIGN	SS

KEY MAP
 Scale: 1:2000



NOTES:
 1. All items to be confirmed and approved by engineer before supply & installation.

Copyright reserved

ELECTRICAL LEGEND	
ITEM	DESCRIPTION
○	LV Pole
⊙	MV Pole
●	Water Pole
⊥	Earth
→	LV Mainline
→	MV Mainline
→	Shed and/or Load Bank Feeds
↔	Other cables
⊞	Water Street
⊞	Distribution Board
⊞	Room
⊞	Shed Main Unit
⊞	Shed Main Unit (2 Outlets)
⊞	Water Tap
⊞	Public/Factory Signs
⊞	Transformer
⊞	Substation
⊞	Generator
⊞	Uninterruptible Power Supply
⊞	Reception
⊞	Phone
⊞	Public Bus
⊞	Water Meter
⊞	Covering MV 3.3kV
⊞	Covering MV 10kV
⊞	Street Lights Overhead Line
⊞	Street Lights Underground Line
⊞	Service Connection
⊞	Water MCV Line
⊞	Building 1 1KV Overhead Line
⊞	Building 1 1KV Underground Line
⊞	Building 2 1KV Overhead Line
⊞	Building 2 1KV Underground Line
⊞	Building 3 1KV Overhead Line
⊞	Building 3 1KV Underground Line
⊞	Building 4 1KV Overhead Line
⊞	Building 4 1KV Underground Line
⊞	Building 5 1KV Overhead Line
⊞	Building 5 1KV Underground Line
⊞	Building 6 1KV Overhead Line
⊞	Building 6 1KV Underground Line

LINE TYPE	LINE NUMBER
W/LINE	C/LINE
M/C LINE	U

REVISIONS:

NO.	DATE	DESCRIPTION

CLIENT:

NamPower
 Ministry of Mines and Energy
 Private Bag 1207
 WINDHOEK
 NAMIBIA
 TEL: +264 61 284111
 FAX: +264 61 286443

USER/CLIENT:

NORED ELECTRICITY
 NORRED ELECTRICITY (PTY) LTD
 PO Box 389
 Ondangwa
 NAMIBIA
 TEL: +264 65 281850
 FAX: +264 65 241853

ENGINEERS:

HASHI
 P.O.BOX 24285
 WINDHOEK
 NAMIBIA
 CELL: +264 81 328 6554
 TEL: +264 61 300 333

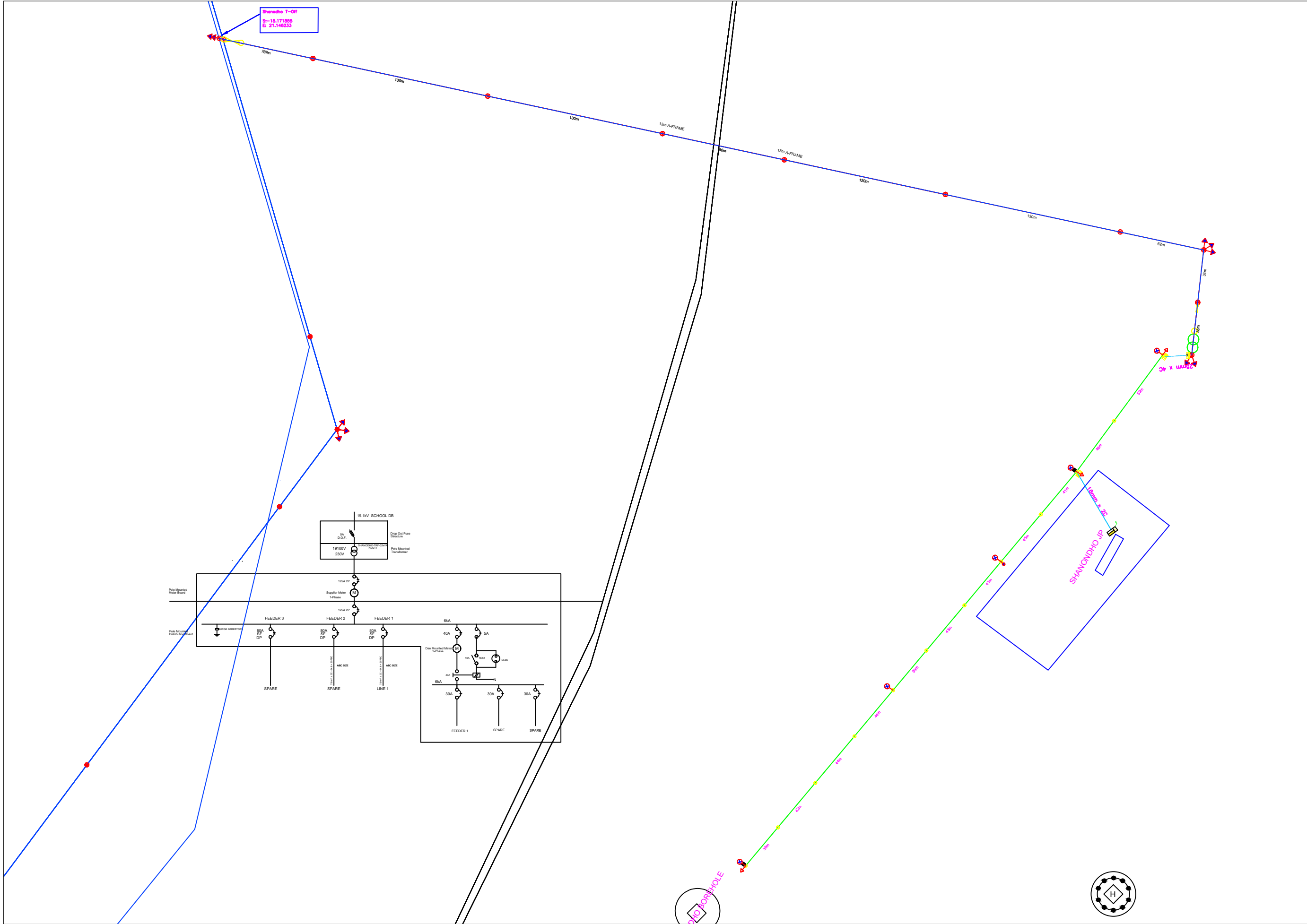
PROJECT TITLE:
**SHADANGHO RURAL ELECTRIFICATION - 2019
 KAVANGO EAST**

DRAWING TITLE:
SHADANGHO VILLAGE - KEY MAP & TRF-1 LAYOUT

WORK STAGE:
TECHNICAL DOCUMENTATION

FOR PURPOSE OF DRAWING:
FOR TENDER

Scale As Shown
 DRAWN: CS CHECKED: WONGKHEK
 DATE: MAY 2020 DESIGNED: SS



NOTES:
1. All items to be confirmed and approved by engineer before supply & installation.

Copyright reserved.

ELECTRICAL LEGEND	
ITEM	DESCRIPTION
	LV Pole
	MV Pole
	HV Pole
	Earth
	LV Drop/Box
	MV Drop/Box
	Street Light
	Street Light Pole
	Distribution Board
	Meter
	Ring Main Unit
	Ring Main Unit (2-Phase)
	MV Bus
	LV Bus
	Transformer
	LPT
	Pole Box
	Meter Box
	Feeder 1
	Feeder 2
	Feeder 3
	Feeder 4
	Feeder 5
	Feeder 6
	Feeder 7
	Feeder 8
	Feeder 9
	Feeder 10
	Feeder 11
	Feeder 12
	Feeder 13
	Feeder 14
	Feeder 15
	Feeder 16
	Feeder 17
	Feeder 18
	Feeder 19
	Feeder 20

LINE 1	19.1kV
MV LINE	230V
LV LINE	230V

REVISIONS:

NO.	DATE	DESCRIPTION

CLIENT:

NamPower Ministry of Mines and Energy
Private Bag 1207
WINDHIEK
NAMIBIA
TEL: +264 61 284111
FAX: +264 61 284443

USER CLIENT:

NORED ELECTRICITY NORED ELECTRICITY (PTY) LTD
PO Box 369
Ondangwa
NAMIBIA
TEL: +264 65 281850
FAX: +264 65 241603

ENGINEERS:

SHASHI P.O. BOX 24285
WINDHIEK
NAMIBIA
CELL: +264 81 326 6554
TEL: +264 61 300 333

PROJECT TITLE:
**SHANDOHO RURAL ELECTRIFICATION - 2019
KAVANGO EAST**

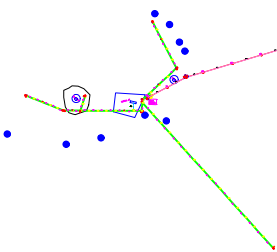
DRAWING TITLE:
SHANDOHO VILLAGE - KEY MAP

WORK STAGE:
**TECHNICAL DOCUMENTATION
FOR TENDER**

Scale As Shown	PROJECT NO.	ISSUE NO.
DRAWN: CS	WONNAPWR	0
DATE: MAY 2020	CREATED: SS	

SHATIDUNDA
VILLAGE

T-OFF
Scale: 1:100



KEY MAP
Scale: 1:3000

NOTES:
1. All items to be confirmed and approved by engineer before supply & installation.

Copyright reserved.

LEGEND

SYMBOL	DESCRIPTION
	DROP OUT FUSE
	LOAD BREAK
	LV POLE (9m)
	MV POLE (11m)
	LV 400V ABC LINE, 70mm²
	LV 400V UNDERGROUND CABLE
	LV POLE STAY ASSEMBLY
	MV STRUT POLE ASSEMBLY
	POLE MOUNTED METER BOARD
	POLE MOUNTED DISTRIBUTION BOARD
	DISTRIBUTION KIOSK
	POLE MOUNTED STREET LIGHT, HPS
	POLE EARTH TO SPECIFICATION
	33KV MV OH LINE, 19MFT
	22KV MV OH LINE, 19MFT
	TRANSFORMER
	SERVICE CONNECTION
	EXISTING 33KV OVERHEAD LINE
	EXISTING 22KV OVERHEAD LINE
	EXISTING 11KV OVERHEAD LINE
	400V LV UNDERGROUND CABLE
	HOUSE

REVISIONS

NO.	DATE	DESCRIPTION

CLIENT

 Namibia Power Corporation (NAMPOWER)
 PO Box 2854
 WINDHOEK
 NAMIBIA
 TEL: +264 61 205 2206
 FAX: +264 61 205 2387

USER/CLIENT

 NORRED ELECTRICITY (PTY) LTD
 PO Box 369
 Otjomuise
 NAMIBIA
 TEL: +264 65 281850
 FAX: +264 65 241603

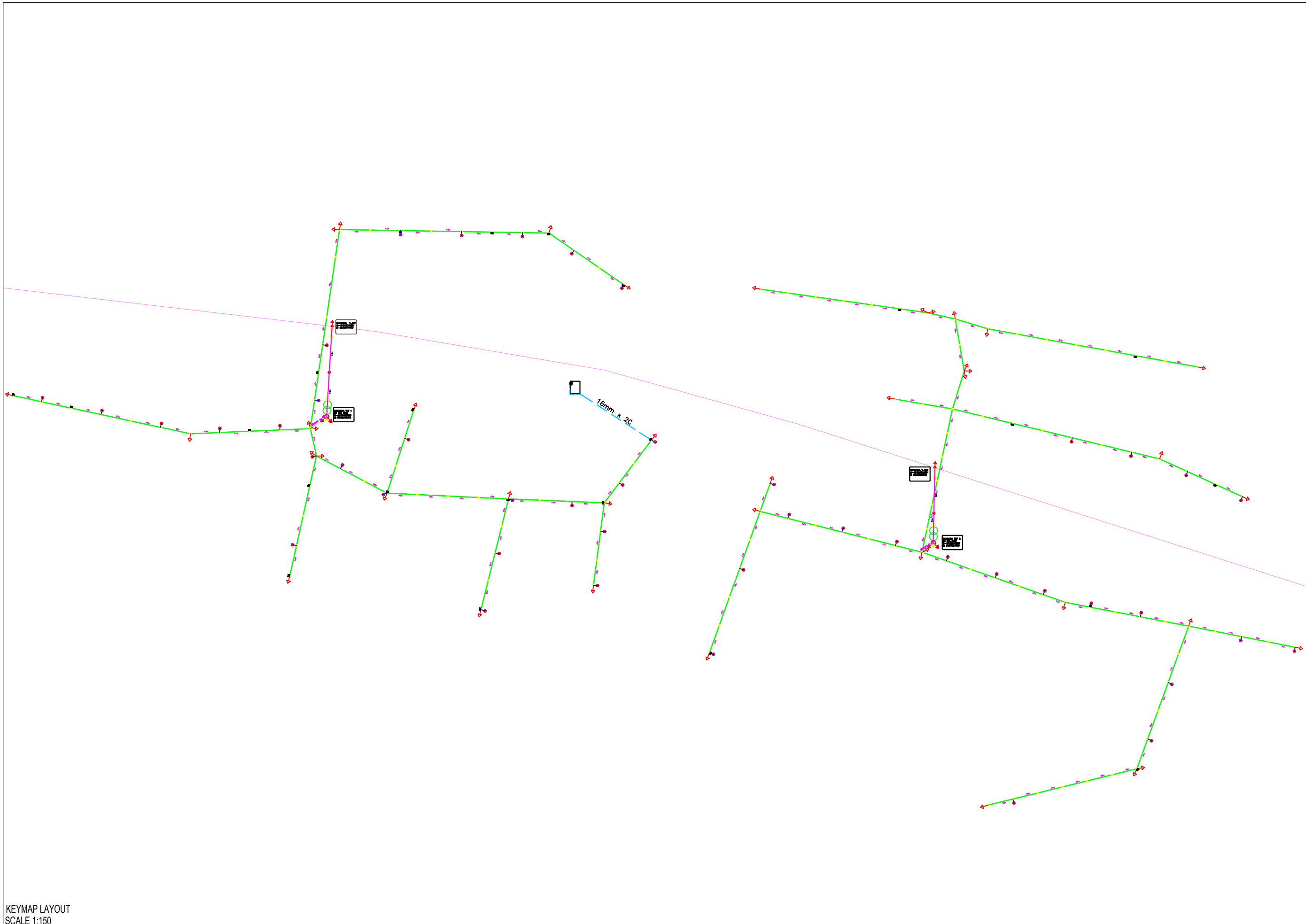
ENGINEER

 SHASHI CONSULTING ENGINEERS cc
 P.O. BOX 26265
 WINDHOEK
 NAMIBIA
 TEL: +264 61 300 333
 CEL: +264 81 326 6554

PROJECT TITLE
 NAMPOWER RURAL ELECTRIFICATION PROJECT
 KAPUKA SCHOOL IN KAVANGO EAST REGION
 DRAWING TITLE
 KAPUKA KEY MAP

WORK PACKAGE
 TECHNICAL DOCUMENTATION
 PURPOSE OF DRAWING
 FOR TENDER

Scale - As Shown	PROJECT	DATE	REV
1:100 AS SHOWN	NPWR/26	NPWR/26-01	0
DATE	NOVEMBER 2018	DESIGN	SS



KEYMAP LAYOUT
SCALE 1:150


NOTES:
1. All items to be confirmed and approved by engineer before supply & installation.

Copyright reserved.

ELECTRICAL LEGEND	
ITEM	DESCRIPTION
	LT Pole
	HT Pole
	Kicker Pole
	Earth
	LT Direction
	HT Direction
	String Pole / Load Break Point
	Street Light
	Water Meter
	Distribution Board
	House
	Transformer
	House
	Single Pole Box
	Service Pole
	Service Connection
	25kV + 4C ABC Line (3 P+1 N)
	25kV HT Overhead Line (3P+1N)


NO	DATE	DESCRIPTION

CLIENT:




Namibia Power Corporation (NAMPOWER)
PO Box 2864
WINDHOEK
NAMIBIA
TEL: +264 61 205 2208
FAX: +264 61 205 2307

USER/CLIENT:



NORED ELECTRICITY (PTY) LTD
PO Box 369
Onangwa
NAMIBIA
TEL: +264 65 281850
FAX: +264 65 241903

ENGINEERS:



P.O. BOX 24285
WINDHOEK
NAMIBIA
CELL: +264 81 328 6554
TEL: +264 61 300 333

PROJECT TITLE:
**NAMPOWER RURAL ELECTRIFICATION - 2020
KAVANGO EAST REGION**

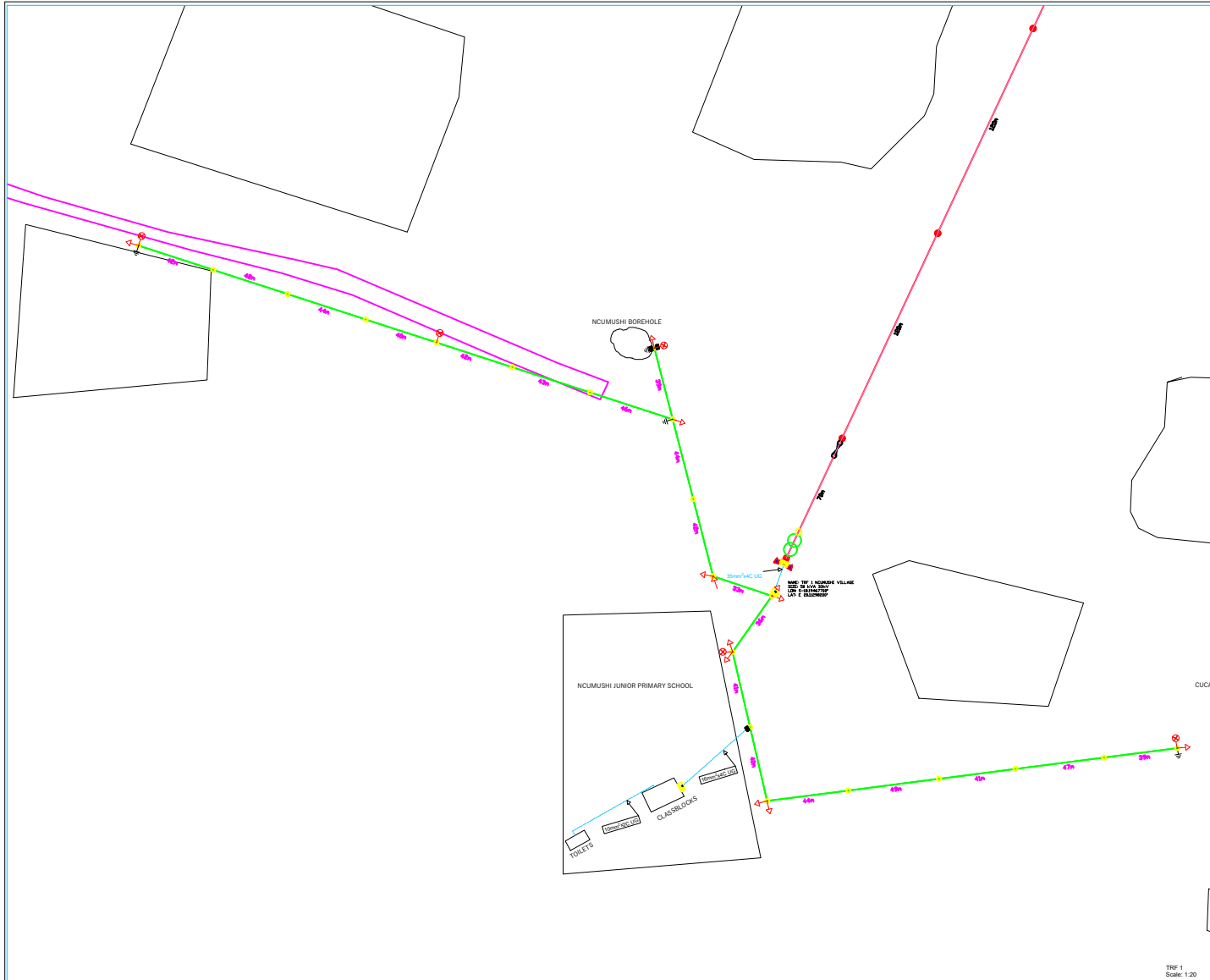
DRAWING TITLE:
SHAGHAYA KEYMAP LAYOUT

WORK STAGE:
CONSTRUCTION

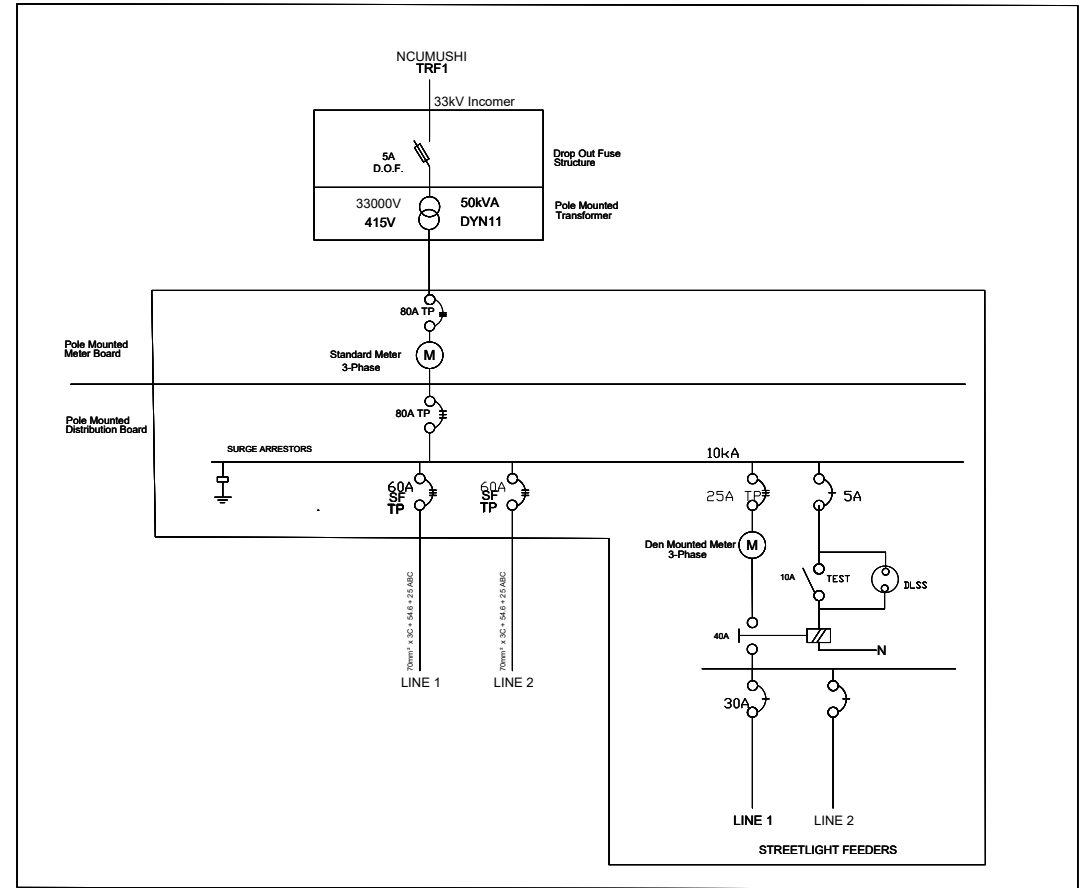
PURPOSE OF DRAWING:
AS-BUILD

SCALE	PROJ. NO.	SHEET NO.	TOTAL SHEETS
Scale As Shown WINDHOEK: 1:150	LS	01	01

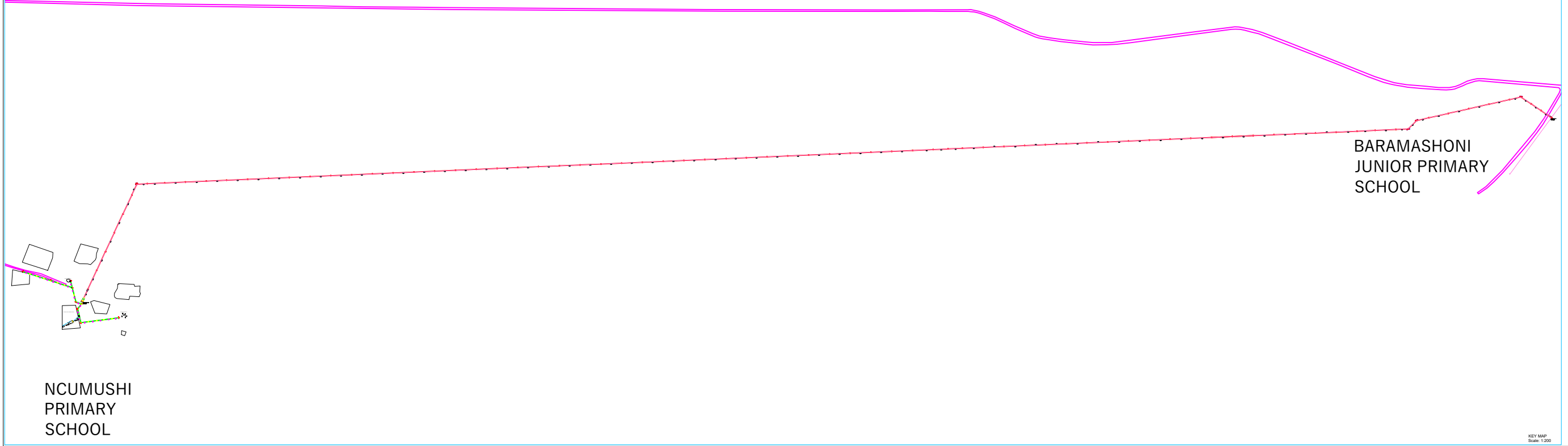
DATE: OCTOBER 2022 DRAWN: SS



TRF 1
Scale: 1:20



SLD
Scale: NTS



KEY MAP
Scale: 1:200

NOTES:
1. All items to be confirmed and approved by engineer before supply & installation.

Copyright reserved

LEGEND	
SYMBOL	DESCRIPTION
	DROP OUT FUSE
	LOAD BREAK
	LV POLE (9m)
	LV POLE (11m)
	LV 400V ABC LINE, 70mm²
	LV 400V UNDERGROUND CABLE
	LV POLE STAY ASSEMBLY
	1M STRUT POLE ASSEMBLY
	POLE MOUNTED METER BOARD
	POLE MOUNTED DISTRIBUTION BOARD
	DISTRIBUTION KIOSK
	POLE MOUNTED STREET LIGHT, HPS
	POLE EARTH TO SPECIFICATION
	33kV MV OH LINE, RABT
	22kV MV OH LINE, RABT
	TRANSFORMER
	SERVICE CONNECTION
	EXISTING 33kV OVERHEAD LINE
	EXISTING 22kV OVERHEAD LINE
	EXISTING 11kV OVERHEAD LINE
	400V LV UNDERGROUND CABLE
	HOUSE

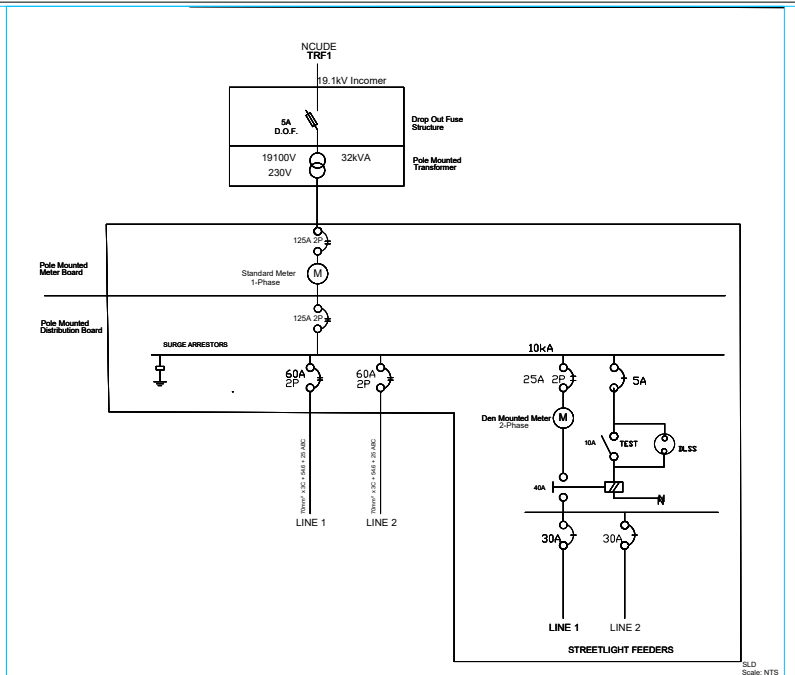
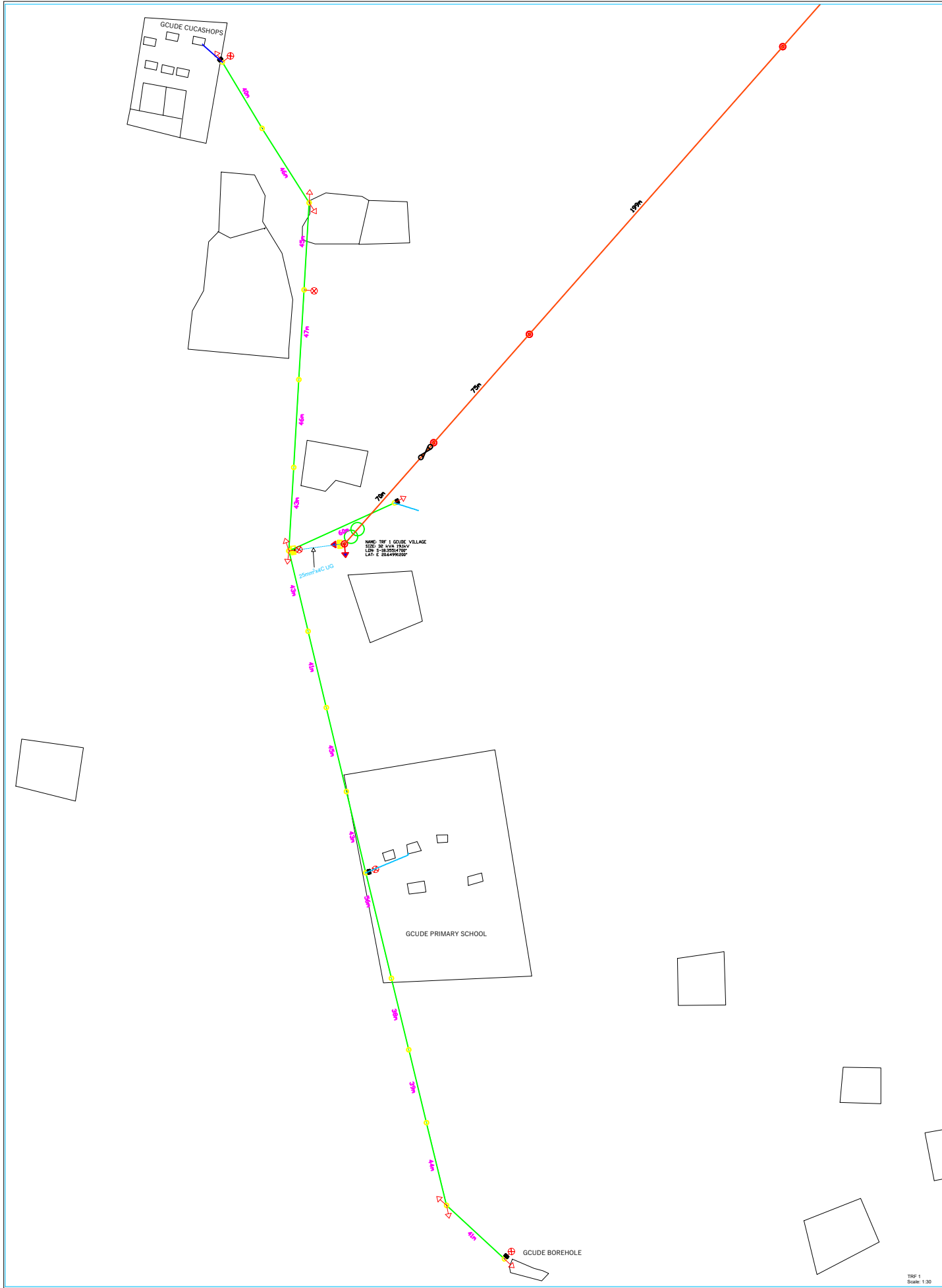
REVISIONS		
NO.	DATE	DESCRIPTION

CLIENT
 Ministry of Mines and Energy
 Private Bag 13297
 WINDHOK
 NAMIBIA
 TEL: +264 61 284111
 FAX: +264 61 286443

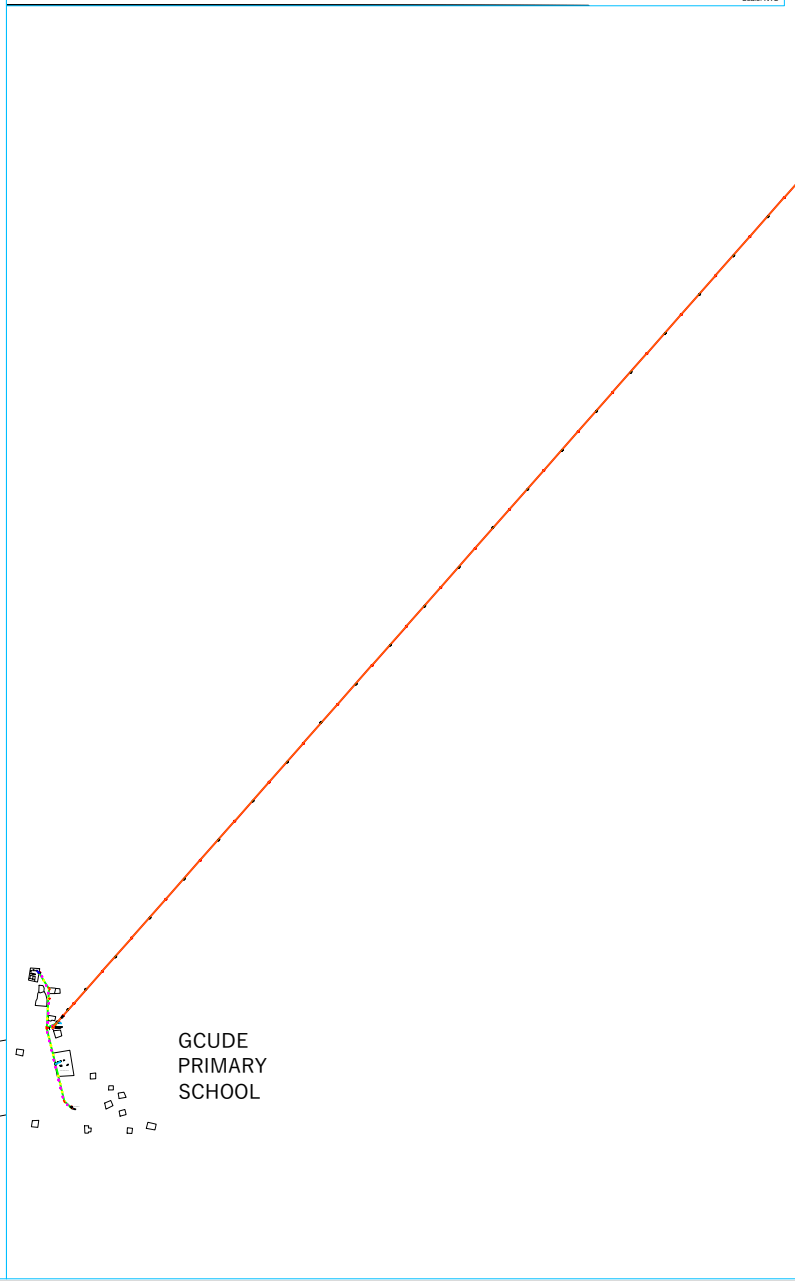
USER CLIENT
 NORED ELECTRICITY (PTY) LTD
 PO Box 309
 ONDANGWA
 NAMIBIA
 TEL: +264 65 281850
 FAX: +264 65 241033

ENGINEERS
 P.O. BOX 24285
 WINDHOK
 NAMIBIA
 CELL: +264 81 328 6554
 TEL: +264 61 300 333

PROJECT TITLE			
NCUDE & NCUMUSHI RURAL ELECTRIFICATION - 2020 KAVANGO EAST REGION			
DRAWING TITLE			
NCUMUSHI VILLAGE - LV LAYOUT			
WORK STAGE			
TECHNICAL DOCUMENTATION			
PURPOSE OF DRAWING			
AS-BUILD			
Scale As Shown			
DESIGN	SS	WONAMPER	0
DATE	JANUARY 2020	CHECKED	SS



GUMAGCASHI
PRIMARY
SCHOOL



NOTES:
1. All items to be confirmed and approved by engineer before supply & installation.

Copyright reserved

LEGEND	
SYMBOL	DESCRIPTION
	DROP OUT FUSE
	LOAD BREAK
	LV POLE (8m)
	MV POLE (11m)
	LV 400V ABC LINE, 70mm ²
	LV 400V UNDERGROUND CABLE
	LV POLE STAY ASSEMBLY
	MV STRUT POLE ASSEMBLY
	POLE MOUNTED METER BOARD
	POLE MOUNTED DISTRIBUTION BOARD
	DISTRIBUTION KIOSK
	POLE MOUNTED STREET LIGHT, HPS
	POLE EARTH TO SPECIFICATION
	230V MV OH LINE, RABT
	230V MV OH LINE, RABT
	TRANSFORMER
	SERVICE CONNECTION
	EXISTING 33KV OVERHEAD LINE
	EXISTING 22KV OVERHEAD LINE
	EXISTING 11KV OVERHEAD LINE
	400V LV UNDERGROUND CABLE
	HOUSE

REVISIONS:		
NO.	DATE	DESCRIPTION

CLIENT

Ministry of Mines and Energy
Private Bag 12297
WINDHOEK
NAMIBIA
TEL: +264 61 2848111
FAX: +264 61 238643

USER CLIENT

NORED ELECTRICITY (PTY) LTD
PO Box 309
ONDANDWA
NAMIBIA
TEL: +264 65 2811850
FAX: +264 65 241603

ENGINEERS

P.O. BOX 24285
WINDHOEK
NAMIBIA
CELL: +264 81 328 6554
TEL: +264 61 300 333

PROJECT TITLE

**NCUDE & NCUMUSHI RURAL ELECTRIFICATION - 2020
KAVANGO EAST REGION**

DRAWING TITLE

NCUDE VILLAGE - LV LAYOUT

WORK STAGE

TECHNICAL DOCUMENTATION

PURPOSE OF DRAWING

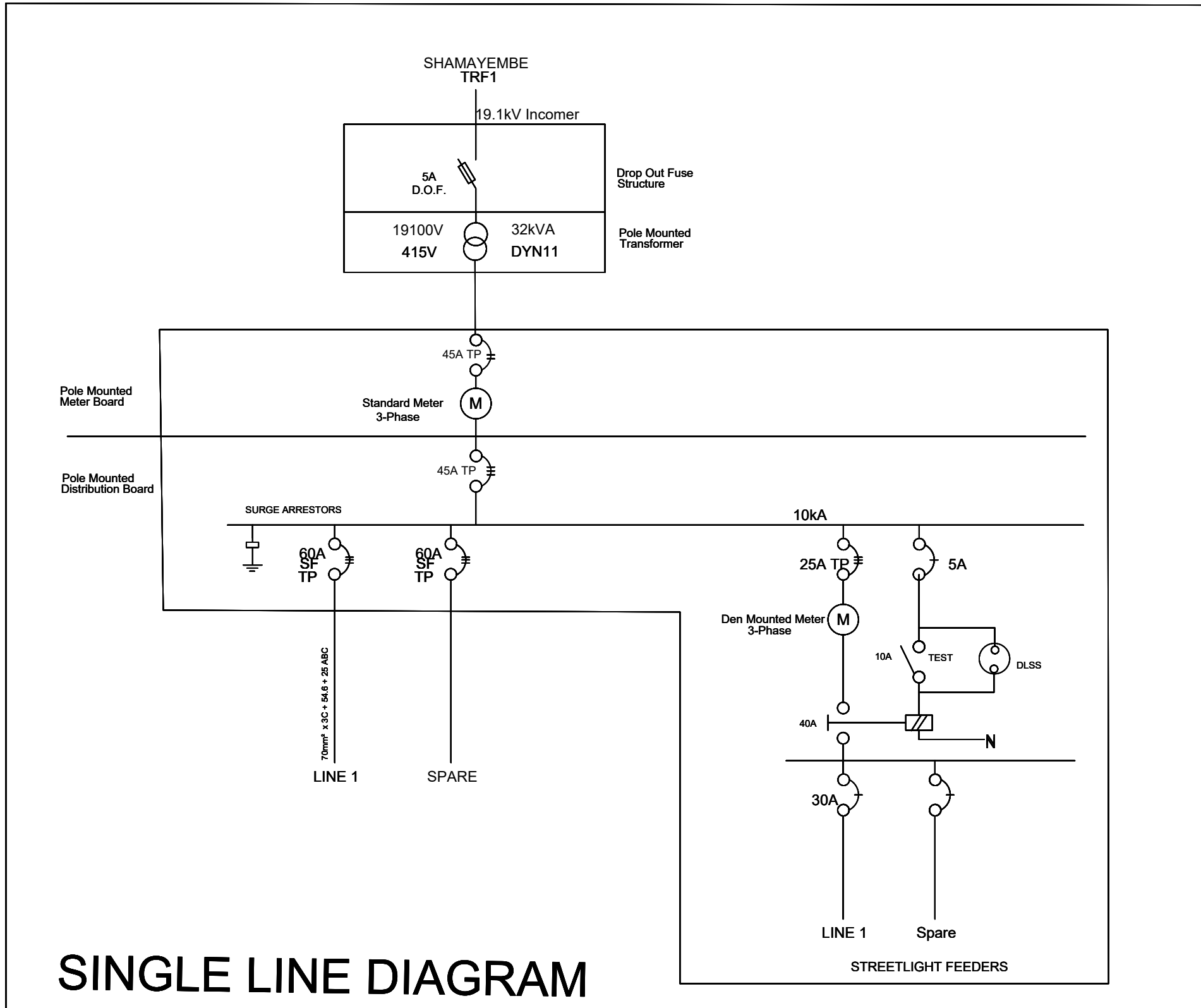
AS-BUILD

Scale As Shown	DATE	ISSUE NO.	REV.
SS	2020-05-01	01	0

DATE: May 2020

CHECKED: SS

KEY MAP Scale: 1:300



SINGLE LINE DIAGRAM


SCALE: 1:100


NOTES:
1. All items to be confirmed and approved by engineer before supply & installation.

Copyright reserved

NO.	DATE	DESCRIPTION

C/ENT
 Ministry of Mines and Energy
 Private Bag 13207
 WINDHOEK
 NAMIBIA
 TEL: +264 61 284111
 FAX: +264 61 288443

USER/CLIENT
 NORED ELECTRICITY (PTY) LTD
 PO Box 369
 OCHONGWA
 NAMIBIA
 TEL: +264 61 281180
 FAX: +264 61 241800

ENGINEERS
 P.O. BOX 24285
 WINDHOEK
 NAMIBIA
 CELL: +264 81 326 6554
 TEL: +264 61 300 333

PROJECT TITLE
**SHAMAYEME RURAL ELECTRIFICATION - 2019
 KAVANGO EAST REGION**

DRAWING TITLE
SHAMAYEME VILLAGE - SINGLE LINE DIAGRAM

WORKSTAGE **TECHNICAL DOCUMENTATION**

PURPOSE OF DRAWING **FOR TENDER**

Scale As Shown	PROJ. NO.	SHEET NO.	TOT.
SS			0
DATE	DRAWN	CHECKED	ISSUED
MAY 2019	SS		